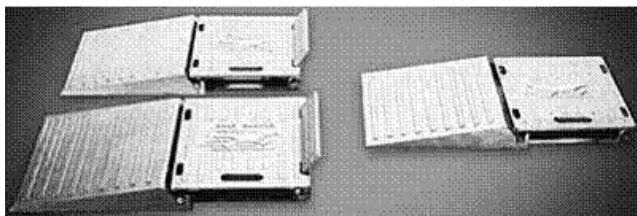


ROADRUNNER™ Platform Wheel Weigher



FEATURES

- $\pm 0.1\%$ of applied load or $\pm 0.02\%$ of channel capacity, whichever is greater
- 7,500 to 60,000 lbs. capacity
- 1 to 4 channels of input for weighing
- Operates on 10 to 32 Volts DC or 115/230 VAC
- RS-232 for PC Data storage
- Cast aluminum Platform with Non-Slip Surface
- Stainless Steel load cells

OPTIONS

- Printer
- External battery charger

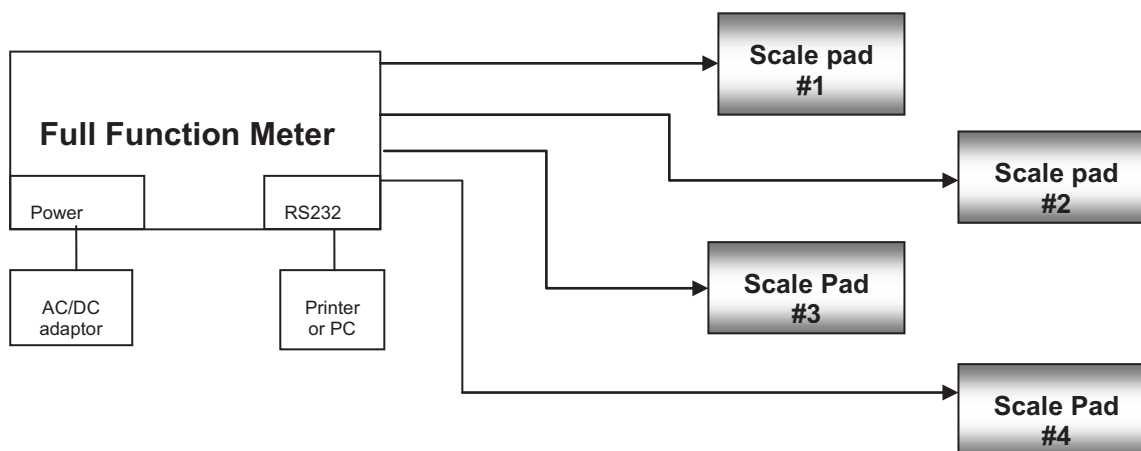
DESCRIPTION

The Roadrunner Wheel Weigher System provides fast and accurate weight readings for a variety of light to medium applications. Each system is designed for easy transportation and quick setup in a matter of minutes. Using the digital indicator, the operator can display the weight of each pad individually or the sum of any combination of pads.

APPLICATIONS

- Aircraft
- Helicopters
- Race cars

SYSTEM BLOCK DIAGRAM



ROADRUNNER™ Platform Wheel Weigher

SI Onboard



ROADRUNNER™ Platform Wheel Weigher

SPECIFICATIONS	
PARAMETERS	DESCRIPTION
Accuracy	± 0.1% of applied load or ± 0.02% of channel capacity, whichever is greater
Capacity (GVW)	7,500 to 60,000 lbs
METER	
Digit Size	0.4", 2 Line
Display Type	LCD, 1" x 4"
Display modes	Gross weight, Channel weight, Lb. or kg
Communications	RS232
Number of channels	1 to 4
Operating voltage	10 to 32 Vdc or 115/230 Vac (with charger)
Operating temperature	14 °F to 120 °F
Size of Meter	9" W x 6" T x 6" Deep
Size of Scale Pad 2.5K	12" W x 13" Deep x 3" tall
Size of Scale Pad 6K, 10K, 15K	17" W x 17" Deep x 3.5" tall